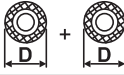


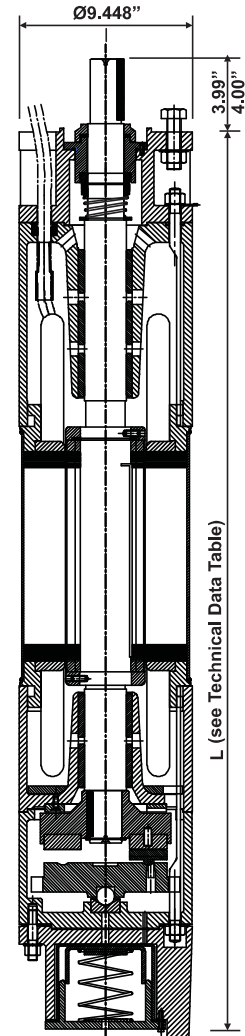
# TECHNICAL DATA SUBMERSIBLE MOTOR 60 Hz 10" WF STANDARD

## 10 INCH WATER FILLED MOTOR

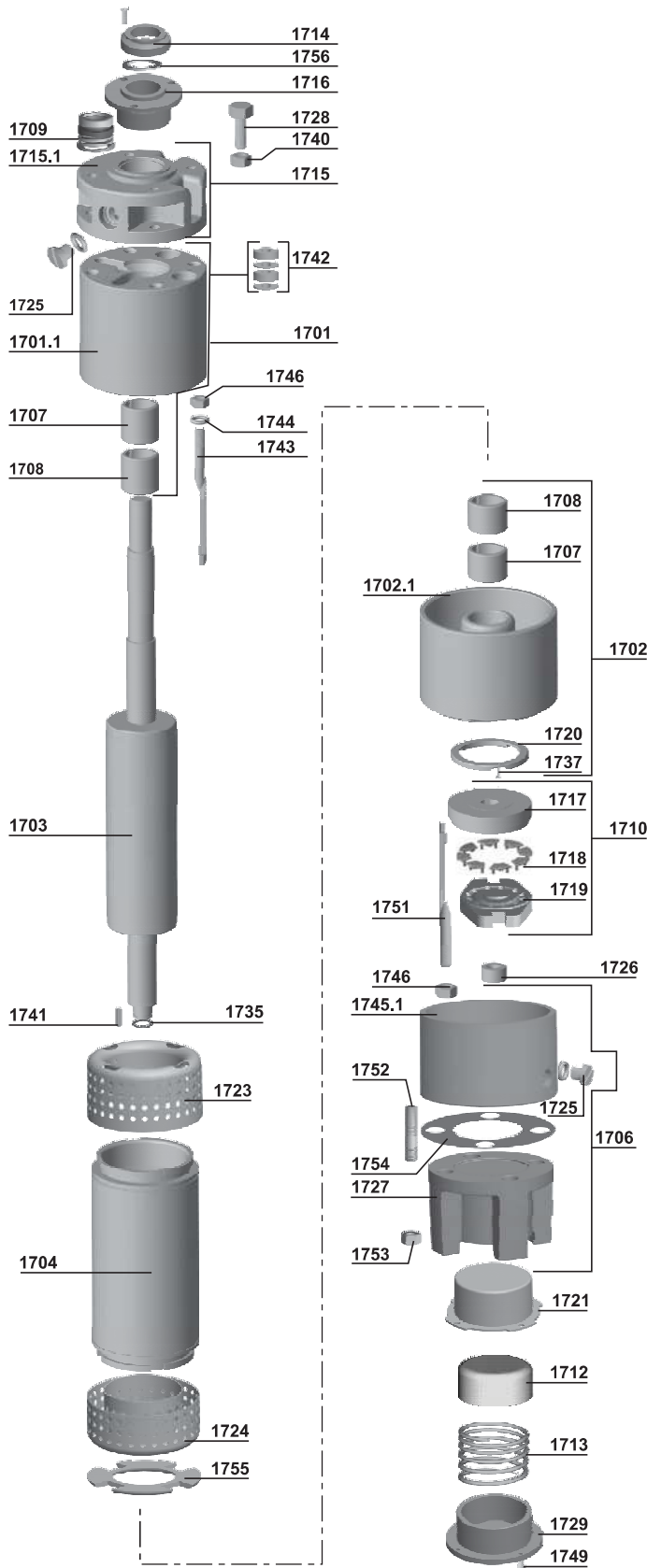
| Type         | Pn [hp] | S.F  | Un (Volts) | Thrust Load (N) | Full load Amps | S.F. Amps | RPM  | Efficiency [%] | Cos φ (P.F) | T <sub>N</sub> (Nm) | Locked rotor Amps | KVA code | Length (L) (inch) | Gross weight (lbs.) |
|--------------|---------|------|------------|-----------------|----------------|-----------|------|----------------|-------------|---------------------|-------------------|----------|-------------------|---------------------|
|              |         |      |            |                 |                |           |      | F.L            | F.L         |                     |                   |          |                   |                     |
| M10-1500-460 | 150     | 1.15 | 460        | 60000           | 224.5          | 240.0     | 3500 | 86.0           | 0.84        | 300.2               | 1158              | G        | 69.5              | 873                 |
| M10-1750-460 | 175     | 1.15 | 460        | 60000           | 253.5          | 274.0     | 3500 | 87.0           | 0.87        | 368.5               | 1306              | G        | 71.9              | 922                 |
| M10-2000-460 | 200     | 1.15 | 460        | 60000           | 293.5          | 318.0     | 3500 | 87.0           | 0.87        | 409.5               | 1556              | F        | 73.5              | 953                 |
| M10-2500-460 | 250     | 1.15 | 460        | 60000           | 376.0          | 400.0     | 3500 | 87.0           | 0.84        | 505.0               | 1775              | E        | 77.4              | 1038                |

## CABLE DATA

| HP        | ph | Type of start | Cable x Leads x Size (AWG) | Length [ft] | D [inch]  |  |
|-----------|----|---------------|----------------------------|-------------|-----------|--|
| 150 - 250 | 3  | DOL           | 3 x 1 x 00 + 1 x 1 x 1     | 16.4        | 0.55 inch |  |



**NOTE: These motors are equipped with PT100 sensor.**



MATERIALS

| PART NO. | PARTS NAME                          | MATERIAL                     |
|----------|-------------------------------------|------------------------------|
| 1701     | UPPER BEARING HOUSING (COMPLETE)    | -                            |
| 1701.1   | UPPER BEARING HOUSING               | PU COATED GREY IRON          |
| 1702     | LOWER BEARING HOUSING (COMPLETE)    | -                            |
| 1702.1   | LOWER BEARING HOUSING               | PU COATED GREY IRON          |
| 1703     | ROTOR                               | STAINLESS STEEL              |
| 1704     | STATOR                              | STAINLESS STEEL              |
| 1706     | MOTOR BASE (COMPLETE)               | -                            |
| 1707     | UPPER BEARING BUSH (58 X 74X 60) MM | CARBON                       |
| 1708     | LOWER BEARING BUSH (58 X 74X 60) MM | CARBON                       |
| 1709     | MECHANICAL SEAL                     | SIC / SIC / NBR              |
| 1710     | THRUST BEARING SET                  | CARBON V/S S.S.              |
| 1712     | DIAPHRAGM PROTECTOR CUP             | PU COATED GREY IRON          |
| 1713     | SPRING                              | STAINLESS STEEL              |
| 1714     | SAND GUARD                          | NBR                          |
| 1715     | ADAPTOR (COMPLETE)                  | -                            |
| 1715.1   | ADAPTOR                             | PU COATED GREY IRON          |
| 1716     | SEAL GUARD                          | RUBBER                       |
| 1717     | THRUST DISC WITH CARBON             | PU COATED GREY IRON / CARBON |
| 1718     | THRUST SEGMENT PIECE (QTY-8)        | STAINLESS STEEL              |
| 1719     | THRUST BEARING BASE                 | GREY IRON                    |
| 1720     | COUNTER RING                        | POLYAMIDE 66                 |
| 1721     | DIAPHRAGM                           | NBR                          |
| 1723     | UPPER WINDING PROTECTOR             | PLASTIC                      |
| 1724     | LOWER WINDING PROTECTOR             | PLASTIC                      |
| 1725     | WATER PLUG WITH 'O' RING            | BRONZE                       |
| 1726     | BEARING SUPPORT                     | STAINLESS STEEL              |
| 1727     | MOTOR BASE                          | PU COATED GREY IRON          |
| 1728     | BOLT                                | STAINLESS STEEL              |
| 1729     | DIAPHRAGM COVER                     | PU COATED GREY IRON          |
| 1735     | CIRCLIP                             | SPRING STEEL                 |
| 1737     | SCREW FOR COUNTER RING (QTY-3)      | STAINLESS STEEL              |
| 1740     | NUT FOR BOLT                        | STAINLESS STEEL              |
| 1741     | KEY                                 | STAINLESS STEEL              |
| 1742     | CABLE KIT                           | -                            |
| 1743     | UPPER TIE ROD                       | EN-8                         |
| 1744     | 'O' RING FOR TIE ROD                | RUBBER                       |
| 1745.1   | BEARING HOUSING                     | PU COATED GREY IRON          |
| 1746     | TIE ROD NUT                         | STAINLESS STEEL              |
| 1749     | ALLEN PIN (QTY-4)                   | STAINLESS STEEL              |
| 1751     | LOWER TIE ROD                       | EN-8                         |
| 1752     | STUD FOR MOTOR BASE (QTY-4)         | STAINLESS STEEL              |
| 1753     | NUT FOR MOTOR BASE                  | STAINLESS STEEL              |
| 1754     | GASKET                              | NBR                          |
| 1755     | LOWER WINDING SUPPORTER             | NBR                          |
| 1756     | WASHER                              | TEFLON                       |

ORDERING NOTE:

While ordering spare parts kindly mention motor type, part no, part name, material & quantity in the order.